



## Model REL-3W 3-Way Valves

cULus Listed  
600 psi

### Product Description

The Reliable REL-3W 1/4" NPT female threaded 3-Way Valve is intended to be installed in conjunction with fire protection system pressure gauges. When installed properly, the valve satisfies NFPA #13, which requires that each gauge connection shall be equipped with a shutoff valve and provisions for draining. Each valve has one inlet and two outlets. The valve body is equipped with a directional flow arrow to facilitate proper installation orientation. Typically one discharge outlet is used for pressure gauge installation and the second discharge outlet is normally plugged. The plugged outlet can either be used as an auxiliary drain or it can be used as an additional pressure gauge port to allow for calibration of the system pressure gauge.

### Installation

The Reliable REL-3W 3-Way Valve shall be installed in accordance with NFPA 13, "Standard for the Installation of Sprinkler Systems," as well as the requirements of any authorities having jurisdiction. Verify compatibility of the 3-Way Valve materials with the water supply and the environment where the valve will be installed prior to installation.

### Maintenance

The owner is responsible for maintaining the fire protection system in proper operating condition. Any system maintenance or testing that involves placing a control valve out of service will eliminate the fire protection that is provided by the fire protection system.

The Reliable REL-3W 3-Way Valve shall periodically be given a thorough inspection and test. NFPA 25, "Inspection, Testing and Maintenance of Water Based Fire Protection Systems," provides minimum maintenance requirements. Inspect the valve for corrosion, damage, and wear as required and replace the valve when necessary. Increase the frequency of inspections when the valve is exposed to corrosive conditions or chemicals that could impact the valve materials.

### Guarantee

For Reliable Automatic Sprinkler Co., Inc. guarantee, terms, and conditions, visit [www.reliablesprinkler.com](http://www.reliablesprinkler.com).

### Ordering Information

Specify the following when ordering:

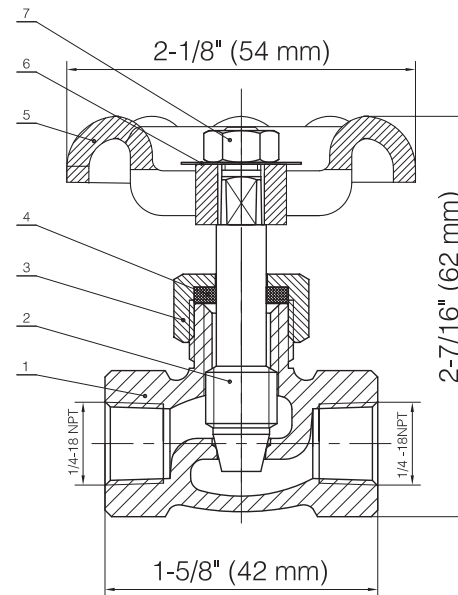
**Model REL-3W 3-Way Valve**



3-Way Valve

### 3-Way Valve Dimensions

Figure 1



### Materials

Table 1

1	Body	C84400 Brass Alloy
2	Spindle	HPb59-1 Brass Alloy
3	Gland nut	C37700 Brass Alloy
4	Wash seal	PTFE
5	Handle wheel	HT 200 Cast Iron
6	Name Plate	Aluminum
7	Screw Nut	Q235A Steel Alloys

P/N 9999970611