

Reliable®

Model E221 22.5° Elbow

cULus Listed, FM Approved
300 psi (20.7 bar)

E221 22.5° Elbow Technical Data

Operating Specifications

Maximum Working Pressure:
300 psi (20.7 bar)

Material Specifications

Body: ASTM A536 Grade 65-45-12 Ductile Iron

Design Specification

Groove: AWWA-C606

Available Finishes

Housing:
Standard orange paint
Hot dipped galvanized (ASTM A-153)

Listings and Approvals

cULus Listed
FM Approved



E221 22.5° Elbow Dimensions

Figure 1

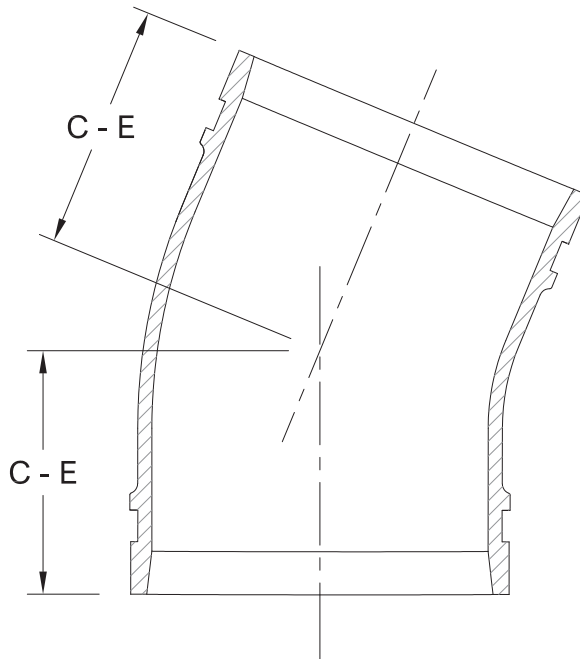


Table A

Nominal Size in (mm)	Pipe O.D. in (mm)	Dimension in (mm)	Weight lb (kg)
		C - E	
1-1/4 (32)	1.660 (42.2)	1-3/4 (45)	0.59 (0.26)
1-1/2 (40)	1.900 (48.3)	1-3/4 (45)	0.59 (0.26)
2 (50)	2.375 (60.3)	1-7/8 (48)	1.13 (0.50)
2-1/2 (65)	2.875 (73.0)	2 (51)	1.85 (0.82)
3 (80)	3.500 (88.9)	2-1/4 (57)	2.48 (1.10)
4 (100)	4.500 (114.3)	2-7/8 (73)	3.71 (1.65)
6 (150)	6.625 (168.3)	3-1/8 (79)	8.37 (3.72)
8 (200)	8.625 (219.1)	3-7/8 (98)	11.93 (5.30)