



Model 041 U Bolt Threaded Mechanical Tee FNPT/BSPT

cULus Listed, FM Approved
300 psi (20.7 bar)

041 U Bolt Threaded Mechanical Tee FNPT/BSPT Technical Data

Operating Specifications
Maximum Working Pressure:
300 psi (20.7 bar)

Operating Temperature
-30 °F to 230 °F (-34 °C to 110 °C)

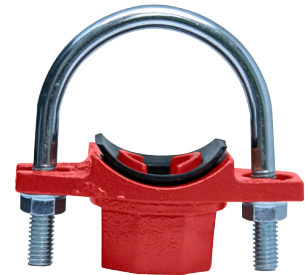
Material Specifications
Housings: ASTM A536 Grade 65-45-12 Ductile Iron
Gasket: Grade E EDPM

Bolt Specification:
ISO 898-1 Grade 8.8

Thread Specification:
FNPT Threads: ASME B1.20.1
BSPT Threads: ISO 7-1

Available Finishes
Housing:
Red powder coating
Hot dipped galvanized (ASTM A-153)

Listings and Approvals
cULus Listed
FM Approved



041 U Bolt Threaded Mechanical Tee FNPT/BSPT Dimensions

Figure 1

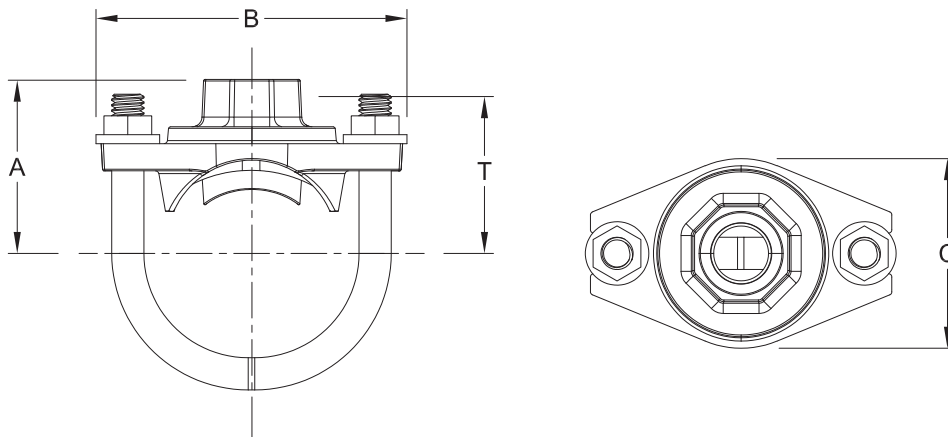


Table A

Nominal Size		Branch Pipe O.D. in (mm)	U-Bolt Size in	Dimensions			Take Out T in/mm	Weight lb (kg)
Run Pipe in (mm)	Threaded Outlet in (mm)			A in/mm	B in/mm	C in/mm		
1-1/4 (32)	1/2 (15)	0.840 (21.3)	M10 x 1.5	2-1/8 (53)	3-1/2 (89)	2-3/16 (56)	1-3/4 (44)	0.90 (0.41)
	3/4 (20)	1.050 (26.7)	M10 x 1.5	2-1/8 (53)	3-1/2 (89)	2-3/16 (56)	1-3/4 (44)	0.95 (0.43)
	1 (25)	1.315 (33.4)	M10 x 1.5	2-3/16 (56)	3-1/2 (89)	2-3/16 (56)	1-7/8 (47)	0.95 (0.43)
1-1/2 (40)	1/2 (15)	0.840 (21.3)	M10 x 1.5	2-3/16 (55)	3-1/2 (89)	2-3/16 (56)	1-13/16 (46)	0.90 (0.41)
	3/4 (20)	1.050 (26.7)	M10 x 1.5	2-3/16 (55)	3-1/2 (89)	2-3/16 (56)	1-13/16 (46)	0.93 (0.42)
	1 (25)	1.315 (33.4)	M10 x 1.5	2-1/4 (58)	3-1/2 (89)	2-3/16 (56)	1-15/19 (49)	0.99 (0.45)
2 (50)	1/2 (15)	0.840 (21.3)	M10 x 1.5	2-1/2 (64)	3-7/8 (98)	2-3/16 (56)	2-1/16 (53)	0.93 (0.42)
	3/4 (20)	1.050 (26.7)	M10 x 1.5	2-1/2 (64)	3-7/8 (98)	2-3/16 (56)	2-1/16 (53)	0.97 (0.44)
	1 (25)	1.315 (33.4)	M10 x 1.5	2-5/8 (67)	3-7/8 (98)	2-3/16 (56)	2-3/16 (56)	0.97 (0.44)
2-1/2 (65)	1/2 (15)	0.840 (21.3)	M10 x 1.5	2-3/4 (69)	4-3/8 (111)	2-3/16 (56)	2-1/4 (58)	1.28 (0.58)
	3/4 (20)	1.050 (26.7)	M10 x 1.5	2-3/4 (69)	4-3/8 (111)	2-3/16 (56)	2-1/4 (58)	1.28 (0.58)
	1 (25)	1.315 (33.4)	M10 x 1.5	2-13/16 (72)	4-3/8 (111)	2-3/16 (56)	2-3/8 (61)	1.32 (0.60)
76 mm	1/2 (15)	0.840 (21.3)	M10 x 1.5	2-3/4 (69)	4-3/8 (111)	2-3/16 (56)	2-1/4 (58)	1.28 (0.58)
	3/4 (20)	1.050 (26.7)	M10 x 1.5	2-3/4 (69)	4-3/8 (111)	2-3/16 (56)	2-1/4 (58)	1.28 (0.58)
	1 (25)	1.315 (33.4)	M10 x 1.5	2-13/16 (72)	4-3/8 (111)	2-3/16 (56)	2-3/8 (61)	1.32 (0.60)
3 (80)	1 (25)	1.315 (33.4)	M10 x 1.5	3-3/16 (81)	5-1/16 (128)	2-3/16 (56)	2-5/8 (67)	1.32 (0.60)

041 Pipe Compatibility

Table B

Nominal Size in (mm)	Pipe	Approvals
1-1/4 (32)	10	cULus, FM
	40	
1-1/2 (40)	10	cULus, FM
	40	
2 (50)	10	cULus, FM
	40	
2-1/2 (65)	10	cULus, FM
	40	
76 mm	10	FM
	40	FM
	GB / T3091	cULus, FM
3 (80)	10	cULus, FM
	40	

P/N 9999970696