



Model MTG1 Grooved Mechanical Tee

cULus Listed, FM Approved

MTG1 Grooved Mechanical Tee Technical Data

Operating Specifications
Maximum Working Pressure:
 See Table A

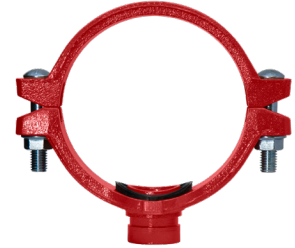
Operating Temperature
 -30 °F to 230 °F (-34 °C - 110 °C)

Material Specifications
Housings: ASTM A536 Grade 65-45-12 Ductile Iron
Gasket: Grade E EDPM

Bolt Specification:
 SAE J429 Grade 5

Available Finishes
Housing:
 Red powder coating
 Hot dipped galvanized (ASTM A-153)

Listings and Approvals
 cULus Listed
 FM Approved



MTG1 Grooved Mechanical Tee Dimensions

Figure 1

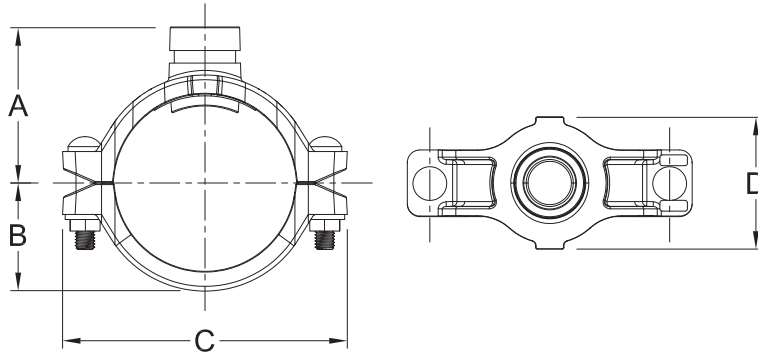


Table A

Nominal Size in (mm)	Pipe O.D. in (mm)	Nominal Branch Pipe Size NPS (DN)	Branch Pipe O.D. in (mm)	Bolt Size x Length mm	Dimensions				Weight lb (kg)
					A in (mm)	B in (mm)	C in (mm)	D in (mm)	
2 (50)	2.375 (60.3)	1-1/4 (32)	1.660 (42.2)	M10 x 60	2-7/8 (73)	1-5/8 (42)	4-3/4 (120)	3-5/16 (84)	2.12 (0.96)
		1-1/2 (40)	1.900 (48.3)					3-9/16 (90)	2.16 (0.98)
2-1/2 (65)	2.875 (73.0)	1-1/4 (32)	1.660 (42.2)	M12 x 65	3-1/8 (79)	1-7/8 (47)	5-5/8 (143)	3-5/16 (84)	2.65 (1.20)
		1-1/2 (40)	1.900 (48.3)					3-9/16 (90)	2.80 (1.27)
		2 (50)	2.375 (60.3)					3-9/16 (90)	2.60 (1.18)
76 mm	3.000 (76.1)	1-1/4 (32)	1.660 (42.2)	M12 x 65	3-1/8 (80)	1-7/8 (48)	5-5/8 (143)	3-5/16 (84)	2.64 (1.2)
		1-1/2 (40)	1.900 (48.3)					3-9/16 (90)	2.80 (1.27)
3 (80)	3.500 (88.9)	1-1/4 (32)	1.660 (42.2)	M12 x 65	3-3/8 (86)	2-3/16 (55)	6-1/4 (158)	3-5/16 (84)	2.80 (1.27)
		1-1/2 (40)	1.990 (48.3)		3-3/8 (86)			3-9/16 (90)	2.98 (1.35)
		2 (50)	2.375 (60.3)		3-7/16 (87)			4 (101)	3.31 (1.50)
4 (100)	4.500 (114.3)	1-1/4 (32)	1.660 (42.2)	M12 x 70	3-7/8 (99)	2-9/16 (65)	7-1/8 (181)	3-5/16 (84)	4.15 (1.88)
		1-1/2 (40)	1.900 (48.3)					3-9/16 (90)	3.57 (1.62)
		2 (50)	2.375 (60.3)					4 (101)	3.90 (1.77)
		2-1/2 (65)	2.875 (73.0)					4-5/8 (117)	4.19 (1.90)
		76 mm	3.000 (76.1)					4-5/8 (117)	4.19 (1.90)
165 mm	6.500 (165.1)	1-1/4 (32)	1.660 (42.2)	M16 x 85	4-15/16 (125)	3-11/16 (94)	9-3/4 (248)	3-5/16 (84)	5.31 (2.41)
		1-1/2 (40)	1.900 (48.3)					3-9/16 (90)	5.31 (2.41)
		2 (50)	2.375 (60.3)					4 (101)	5.58 (2.53)
		2-1/2 (65)	2.875 (73.0)					4-5/8 (117)	6.05 (2.75)
		76 mm	3.000 (76.1)					4-5/8 (117)	6.05 (2.75)
3 (80)	3.500 (88.9)	5-3/8 (136)	6.62 (3)						

Table A

Nominal Size in (mm)	Pipe O.D. in (mm)	Nominal Branch Pipe Size NPS (DN)	Branch Pipe O.D. in (mm)	Bolt Size x Length mm	Dimensions				Weight lb (kg)
					A in (mm)	B in (mm)	C in (mm)	D in (mm)	
6 (150)	6.625 (168.3)	1-1/4 (32)	1.660 (42.2)	M16 x 85	4-15/16 (125)	3-13/16 (97)	9-3/4 (248)	3-5/16 (84)	5.31 (2.41)
		1-1/2 (40)	1.900 (48.3)		4-15/16 (125)			3-9/16 (90)	5.31 (2.41)
		2 (50)	2.375 (60.3)		4-15/16 (125)			4 (101)	5.58 (2.53)
		2-1/2 (65)	2.875 (73.0)		5 (127)			4-5/8 (117)	6.62 (3)
		76 mm	3.000 (76.1)		5 (127)			4-5/8 (117)	6.62 (3)
		3 (80)	3.500 (88.9)		5 (127)			5-3/8 (136)	6.79 (3.08)
		4 (100)	4.500 (114.3)		5-1/16 (129)			6-3/8 (162)	7.72 (3.50)
8 (200)	8.625 (219.1)	2 (50)	2.375 (60.3)	M20 x 90	6 (152)	1-15/16 (125)	12-5/8 (322)	4 (101)	9.24 (4.19)
		2-1/2 (65)	2.875 (73.0)		6-1/16 (154)			4-5/8 (117)	10.06 (4.56)
		76 mm	3.000 (76.1)		6-1/16 (154)			4-5/8 (117)	10.06 (4.56)
		3 (80)	3.500 (88.9)		6-1/16 (154)			5-3/8 (136)	10.25 (4.65)
		4 (100)	4.500 (114.3)		6-3/16 (156)			6-3/8 (162)	11.69 (5.3)

MTG1 Pipe Compatibility**Table B**

Nominal Size in (mm)	Nominal Branch Pipe Size in (mm)	Pipe	Approvals
2 (50)	1-1/4 (32)	10, 40	cULus, FM
	1-1/2 (40)		
2-1/2 (65)	1-1/4 (32)	10, 40	cULus, FM
	1-1/2 (40)		
76 mm	1-1/4 (32)	10, 40	cULus, FM
		GB / T3091	cULus
	1-1/2 (40)	10, 40	cULus, FM
		GB / T3091	cULus
3 (80)	1-1/4 (32)	10, 40	cULus, FM
	1-1/2 (40)		
	2 (50)		
4 (100)	1-1/4 (32)	10, 40	cULus, FM
	1-1/2 (40)		
	2 (50)		
	2-1/2 (65)		
	76 mm		
	3 (80)		
6 (150)	1-1/4 (32)	10, 40	cULus, FM
	1-1/2 (40)		
	2 (50)		
	2-1/2 (65)		
	76 mm		
	3 (80)		
	4 (100)		

MTG1 Pipe Compatibility (cont.)

Table B

Nominal Size in (mm)	Nominal Branch Pipe Size in (mm)	Pipe	Approvals
165 mm	1-1/4 (32)	T3091	cULus
	1-1/2 (40)	T3091	cULus
	2 (50)	T3091	cULus
		10, 40	FM
	2-1/2 (65)	T3091	cULus
	76 mm	T3091	cULus
		10, 40	FM
3 (80)	T3091	cULus	
8 (200)	2 (50)	10, 40	cULus, FM
	2-1/2 (65)		
	76 mm		
	3 (80)		
	4 (100)		

P/N 9999970698